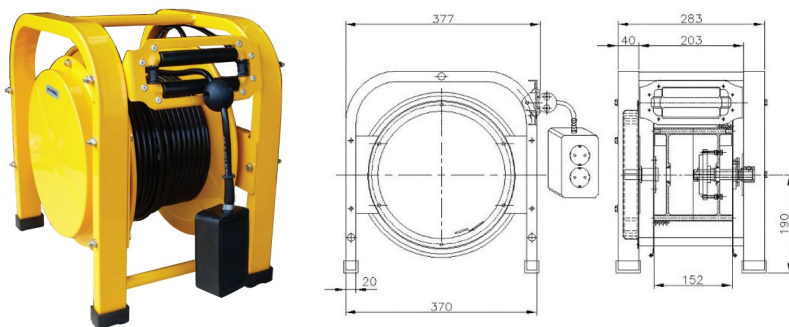


## EER Type

- Use : All sorts of electrical work places(Service center, Factories, Laboratory)
- Features : Steel package type, Hanger bracket included
- Installation : Wall, Ceiling(Within 3M height, If installed over 4M, it could not rewind.)

Model	Cable		Maximum Capacity Max (V×A)	Weight (kg)	Remark
	Cable Specifications	L (M)			
EER-210	VCTF-1.5 SQ×3C, Outlet	10	220V×10A	12	For Indoor
EER-215	VCTF-1.5 SQ×3C, Outlet	15	220V×10A	12	For Indoor
EER-220	VCTF-1.5 SQ×3C, Outlet	20	220V×10A	14	For Indoor
EER-310	VCTF-2.5 SQ×3C, Outlet	10	220V×15A	12	For Indoor
EER-315	VCTF-2.5 SQ×3C, Outlet	15	220V×15A	14	For Indoor
EER-210L	VCTF-1.5 SQ×3C, Halogen Light	10	220V×10A	12	For Indoor
EER-215L	VCTF-1.5 SQ×3C, Halogen Light	15	220V×10A	12	For Indoor
EER-220L	VCTF-1.5 SQ×3C, Halogen Light	20	220V×10A	14	For Indoor



## ALE-B Type

- Use : Moving work places (Construction site, Industrial site, Laboratory)
- Features : Automatic rewind, Solid frame, Light weight
- Installation : Portable

Model	Cable		Maximum Capacity Max (V×A)	Weight (kg)	Remark
	Cable Specifications	L (M)			
ALE-220B	VCTF-1.5 SQ×3C, Outlet	20	220V×10A	17	For Indoor
ALE-230B	VCTF-1.5 SQ×3C, Outlet	30	220V×10A	18	For Indoor
ALE-320B	VCTF-2.5 SQ×3C, Outlet	20	220V×15A	20	For Indoor
ALE-330B	VCTF-2.5 SQ×3C, Outlet	30	220V×15A	22	For Indoor